

**FEATURES**

- Four analog signal conversion to four SPDT contacts
- 15A/ 120VAC rated contacts
- LED relay position indication
- 24VAC/ DC operation
- Small size 7.25" by 2.19"

**APPLICATIONS**

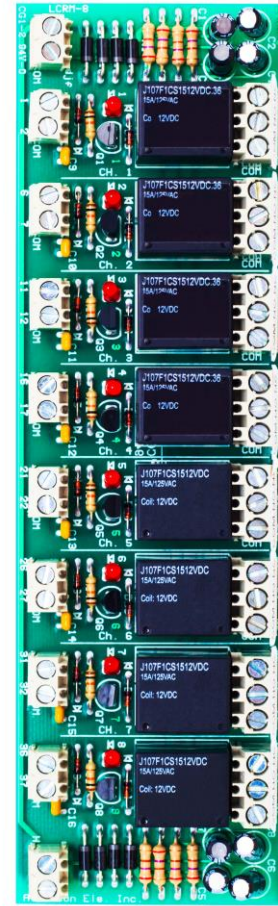
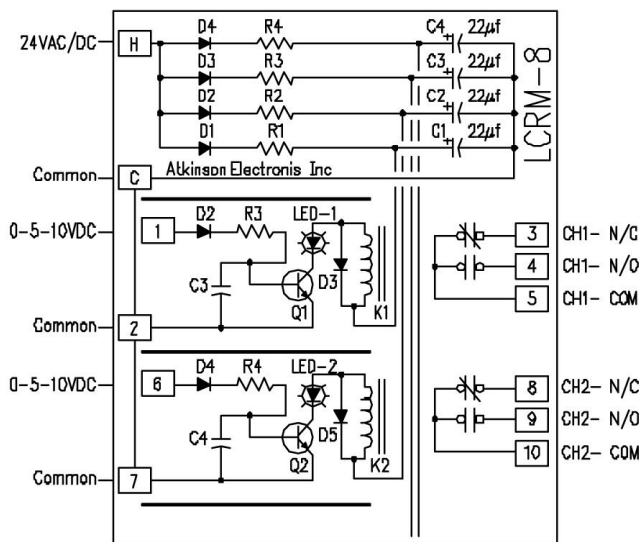
- Analog conversion to on/ off control
- Analog lighting control
- Remote fan start/ stop control

**DESCRIPTION & OPERATION**

The LCRM-8 is an 8 channel version of the LCRM low current voltage relay module. It is powered by 24VAC or DC and each input accepts an analog voltage signal between 0 to 5V or 0 to 10VDC, or a 1 to 5VDC from a 4 to 20mA signal with 249 Ohm load resistor. The LCRM-8 has a form C relay output rated at 15A @ 120VAC. The LCRM-8 has an LED to indicate when each of the relays is energized.

The input signal drives an analog switch that energizes and de-energizes the relay. The relay will energizes with an input voltage between 4 to 10VDC and de-energizes with an input voltage less than 3VDC. The controller's analog output should be setup for on/off operation.

**WIRING CONFIGURATION**



**SPECIFICATIONS**

SIZE:	7.25"L x 2.19"W x 0.95"H
MOUNTING:	2.187" RDI snap-track (supplied)
POWER:	24VAC 2.1VA 50/60Hz/ or 24VDC @ 120mA
INPUT SIGNAL:	0-5VDC @ 0.40mA 0-10VDC @ 0.90mA or 1-5VDC (4-20mA with 249Ω load)
INPUT IMPEDANCE:	≥ 10KΩ
ACTION:	Make on voltage/ current rise Brake on voltage/ current drop
AMBIENT TEMPERATURE:	0-50°C
RELAY:	Form C with contact rated for: 15A @ 28VDC 15A @ 120VAC 10A @ 277VAC Mechanical life >10 million ops.
CONNECTIONS:	
LCRM-8 QC	0.250" Quick connect spades
LCRM-8 ST/QC	Input, screw-cage clamp terminals Output, 0.250" QC spades
LCRM-8 ST/ST	Both input & output use Wieland 8192 screw-cage clamp terminals UL rated 14-30 AWG wire @ 15A

ORDERING INFORMATION

PHYSICAL CONFIGURATION

LCRM-8/XX

└ Terminal Option Code

MOUNTING OPTION CODES

- QC 0.250" Quick connect spades both input & output
- ST/QC Cage clamp screw terminals used on input
- 0.250" Quick connect spades used on output
- ST/ST Cage clamp screw terminals used on both i/o

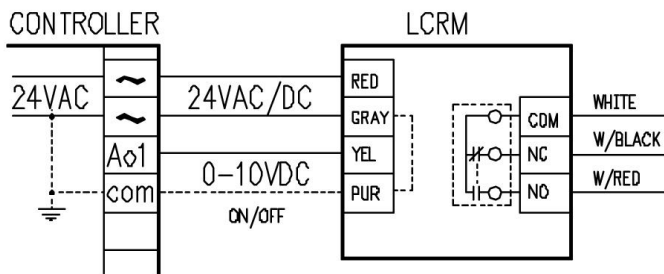
RELAY OUTPUT SPECIFICATIONS

- Relay type: Hasco # KLT1C15DC12
- Contact configuration: 1 Form C
- Contact rating: 15 Amp @ 28VDC, resistive
- 15 Amp @ 120VAC
- 15 Amp @ 240VAC
- 10 Amp @ 277VAC
- Contact material: Silver alloy
- Minimum electrical life: >100K operations (15A, 120VAC)
- Minimum mechanical life: >10 million operations

SCREW TERMINAL BLOCK SPECIFICATIONS

- Terminal type: Wieland # 25.191.0453.0
- Connection type: Screw cage clamp
- Connection rating: UL: 15 Amp 14-20 AWG 300VAC
- CSA: 20 Amp 14-22 AWG 300VAC

TYPICAL APPLICATIONS



The LCRM-8 and controller use a half wave rectifier in their power supply sections. Terminals 2, 7, 12, 17, 22, 27, 32 & 37 are common to terminal C of the 24V AC input. The LCRM-8 accepts a 0 to 10VDC signal that is set for on/ off operation. The relay's trip threshold voltage is around 4VDC on the input.

